



**CleanAir Solutions, Inc.**  
The Cleanroom Specialists

## CLEAN ROOM CURTAINS

**A variety of curtain styles are Available.**

- ▲ ESD & UV Safe Curtains
- ▲ Softwall Panels
- ▲ Strip Shields
- ▲ Strip Curtains
- ▲ Sliding Track Curtains
- ▲ Accordion Style Curtains
- ▲ Bulk Roll Material
- ▲ Rigid Plastics
- ▲ Custom Vinyl Covers
- ▲ O-ring Bags (waste removal)



The SEAL-TECH System is far and away the best attachment method available anywhere. This innovative design makes installation and panel replacement simple.

**Not all anti-static curtains are created equal.**

Standard  
Conductive  
UV Safe

ESD Safe  
Non-Outgassing  
Frosted



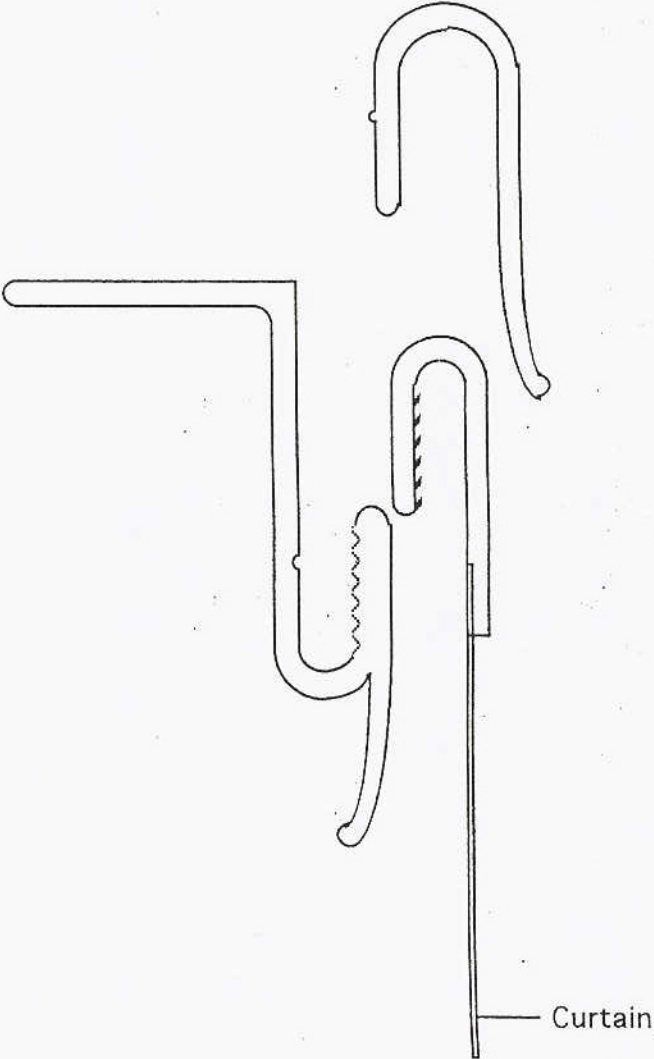
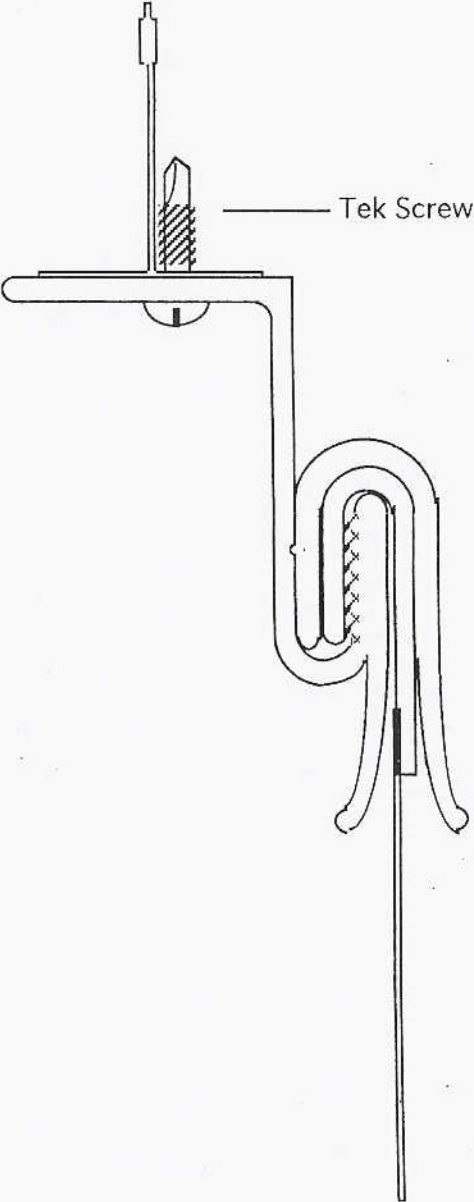
**CleanAir Solutions, Inc.**

Call for a no-obligation quote on your next cleanroom project

*Puzzled by your latest drop in yield? Let us help...*

(707) 864-9499

Not to Scale





**CleanAir Solutions, Inc.**  
**The Cleanroom Specialists**



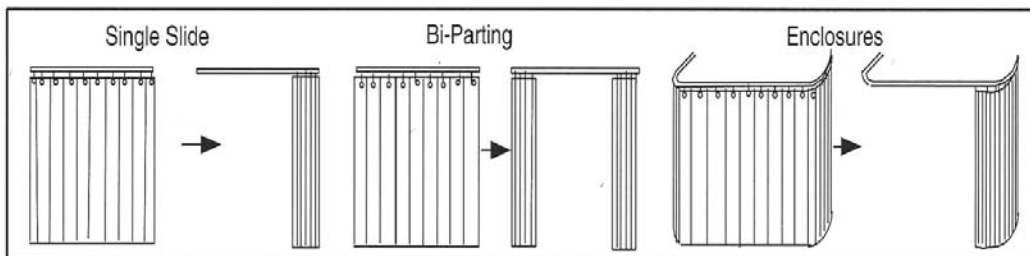
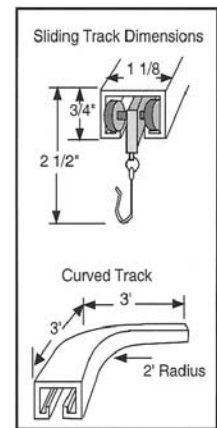
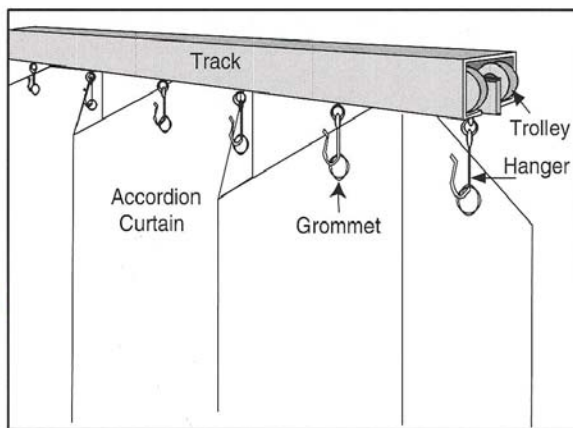
Accordion style vinyl curtains are the newest way to effectively partition off or enclose any area within your work environment.

The sliding track hardware assembly allows the curtain to move easily into place when needed. When not in use, the curtain requires very minimal storage space due to its unique folding panels.

These curtains provide an effective barrier against a wide variety of adverse conditions including noise, dust, light, fumes and pests such as birds and flying insect.

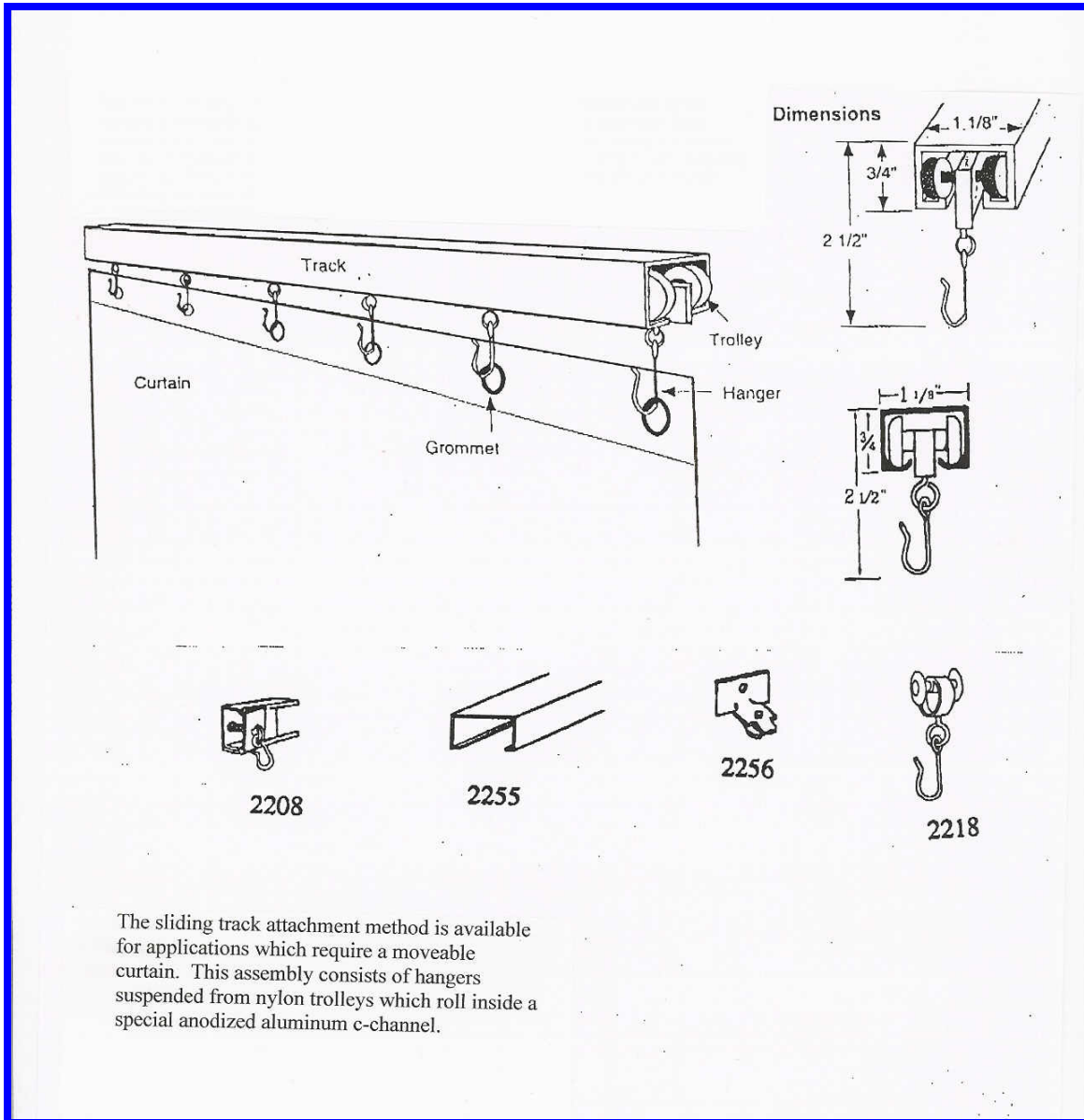
These versatile curtains are available in a wide variety of colors including clear, red, yellow, opaque, white and opaque black. Anti-Static, ESD Safe, conductive and/or non-outgassing materials can also be provided.

Below are examples of various configurations in which the accordion style vinyl curtains can be utilized.





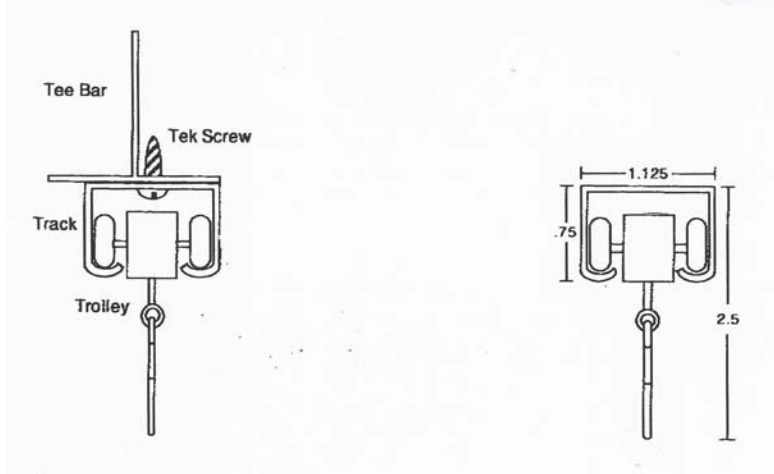
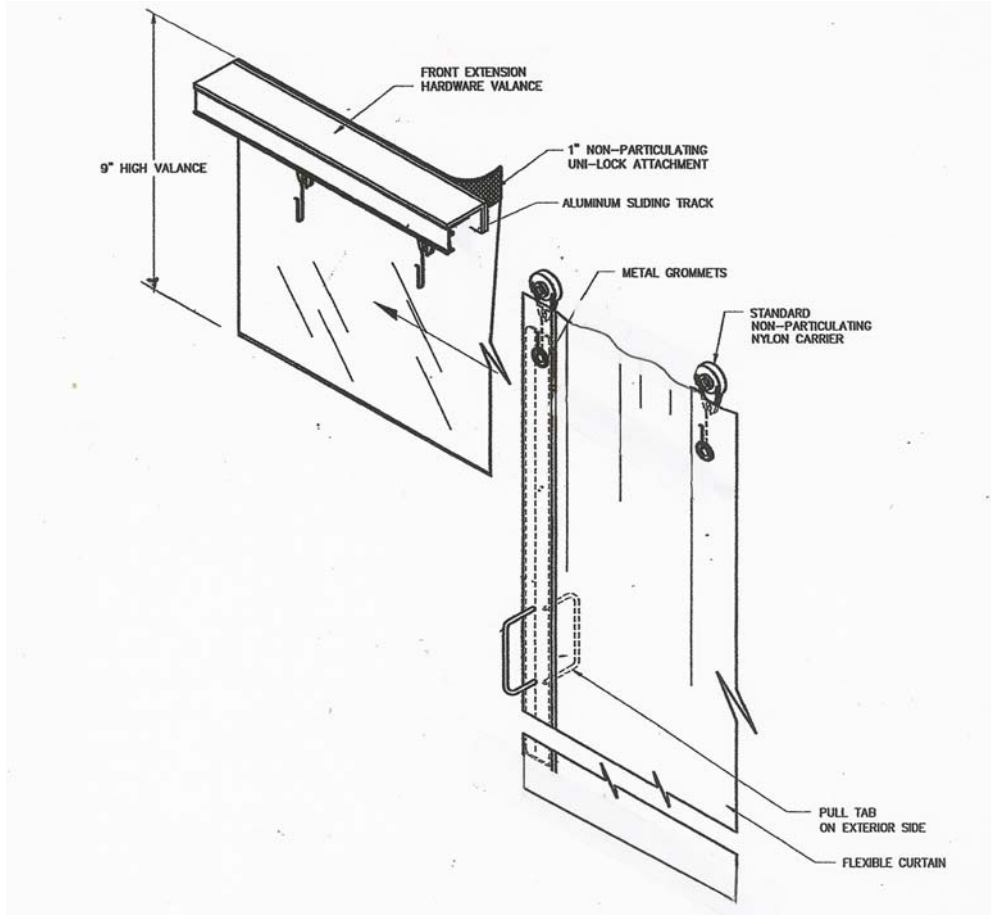
**CleanAir Solutions, Inc.**  
**The Cleanroom Specialists**



The sliding track attachment method is available for applications which require a moveable curtain. This assembly consists of hangers suspended from nylon trolleys which roll inside a special anodized aluminum c-channel.



**CleanAir Solutions, Inc.**  
**The Cleanroom Specialists**

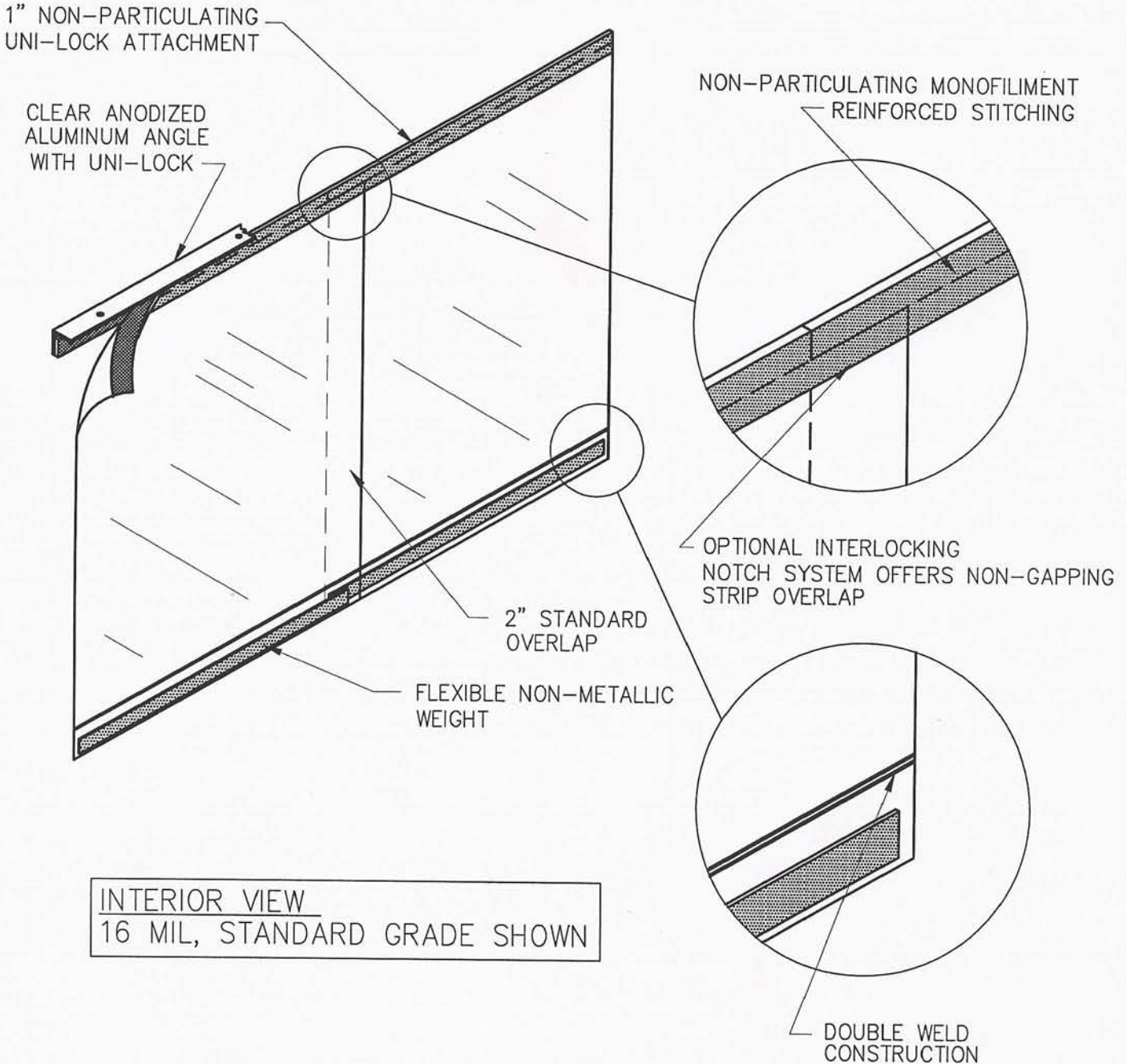






**CleanAir Solutions, Inc.**  
The Cleanroom Specialists

## DUAL-LOCK



















**Description & Other Equipment Features**

The Cleanroom is a...





