

STAINLESS STEEL

# 15" Wide WALL CABINETS



Item #: \_\_\_\_\_ Qty #: \_\_\_\_\_

Model #: \_\_\_\_\_

Project #: \_\_\_\_\_



SLIDING DOORS



HINGE DOORS



OPEN

	WCS Series	WCO Series	WCH Series		
L	Sliding Doors Style	Open Style	Hinge Doors Style	Hinge Doors Sizes	Weight
36"	-	WCO-15-36	WCH-15-36	18"	85 lbs.
48"	WCS-15-48	WCO-15-48	WCH-15-48	24"	105 lbs.
60"	WCS-15-60	WCO-15-60	WCH-15-60	30"	125 lbs.

**FEATURES:**

Wall hung cabinet with intermediate shelf.  
Sloping Top enhances sanitary configuration.

**CONSTRUCTION:**

All TIG welded using the TIG process.  
Welded seams finished to match adjacent surfaces.  
Unit polished to a satin finish.

**MATERIAL:**

18 gauge type 430 series stainless steel.  
Stainless steel hinges and handles.  
Mounting hardware is not supplied.

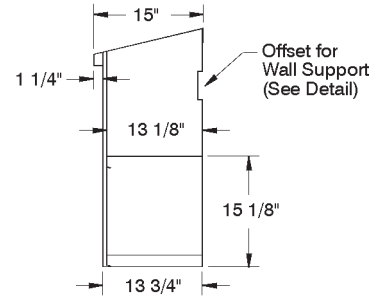
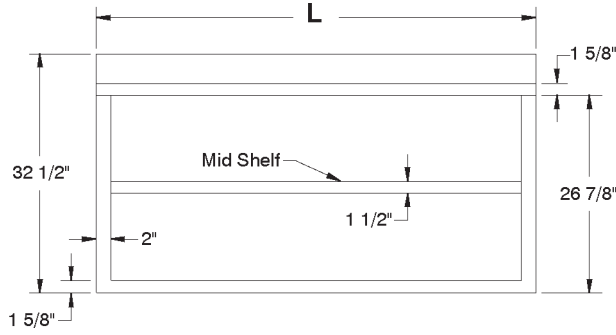
## THREE AVAILABLE OPTIONS!

# DETAILS and SPECIFICATIONS

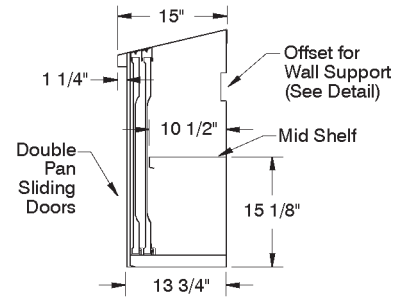
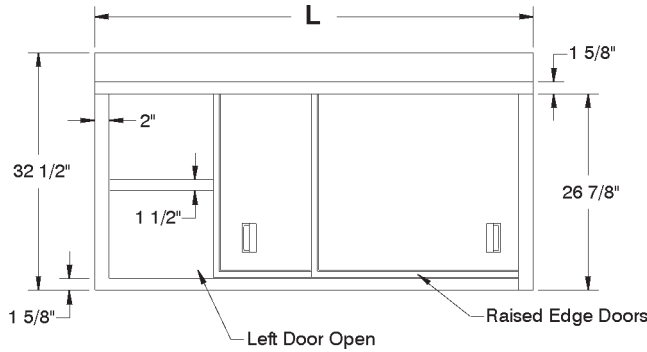
TOL ± .500"

ALL DIMENSIONS ARE TYPICAL

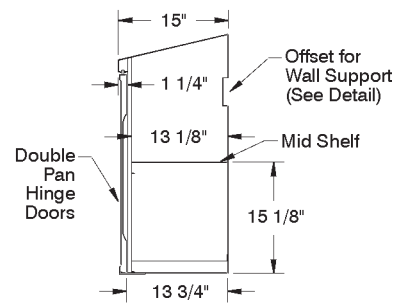
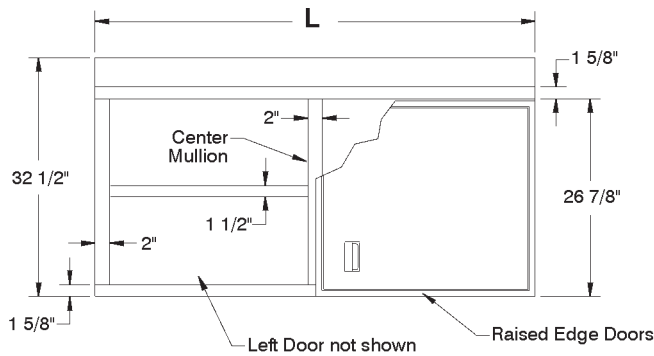
**WCO-Series**  
**Open Style**



**WCS-Series**  
**Sliding Door Style**



**WCH-Series**  
**Hinge Door Style**



**OFFSET DETAIL**

