

## Features

- VoIP design, SIP compatible
- Web page configuration
- PoE or external 12-48 V dc power
- Real-time alarm reporting via email
- RJ45 direct connection
- Three auto-dial numbers allow quick communication at the touch of a button
- Completely smooth front panel is sealed with an overlay that keeps the phone particulate-free and makes cleaning quick and easy
- Oversized buttons with clearly marked functions permit operation for gloved hands
- Auto-answer feature
- Multi-cast (up to 8 addresses) or peer-to-peer capable
- Four inputs and two volt-free outputs for peripheral control
- Flush or Surface-mount model
- Automatic call divert (rollover), via memory list
- Compatible with TMA software for usage and maintenance
- UL/CSA 60950 Listed



### Typical installation locations include:

- Hospital rooms (OR/ER)
- Drug manufacturing facilities
- Food processing facilities
- Semi-conductor manufacturing facilities

The **VoIP Clean Phone**® offers hands-free communications over an existing VoIP network for clean room environments. These telephones are intended for connection via RJ45 to a 10/100 BaseT Ethernet and operate using either PoE or an external dc power source. The VoIP Clean Phone® features alarm reporting that enables system supervisors to monitor the telephone's activity and address maintenance issues immediately. The Clean Phone is also compatible with GAI-Tronics' TMA (Telephone Management Application) software for maintenance monitoring from a central location. Embedded web pages permit access to each telephone, via a browser such as Internet Explorer®, to view, monitor, and change settings within the unit.

**The VoIP Clean Phone**® graphic overlay is designed to withstand exposure to many chemicals. Please contact the factory for questions pertaining to chemicals not listed below:

Ajax / Vim in solution	Downey / Lenor <sup>1</sup>	Phosphoric acid (<30%)
Alkalicarbonate solution <sup>1</sup>	Ethanol	Potassium ferricyanide
Ammonia (<40%)	Glycerine	Potassium hydroxide (<30%)
Acetic Acid (50%)	Glycol	Pure Turpentine
Ariel powder in solution <sup>1</sup>	Gumption <sup>1</sup>	SBP 60/95 <sup>1</sup>
Bleach <sup>1</sup>	Hydrochloric acid (<36%)	Sulfuric Acid (<10%)
Castor oil	Linseed Oil	Tomato Ketchup
Caustic soda (<40%) <sup>1</sup>	Methanol	Trichloroacetic acid (<50%)
Cutting oil	Nitric Acid (<10%)	White Spirit
Cyclohexanol	Paraffin oil	Windex <sup>1</sup>
Diacetone alcohol	Persil powder in solution <sup>1</sup>	Wisk
Diesel	Petroleum spirit <sup>1</sup>	

<sup>1</sup> Extremely faint glossing of the texture was noted.

**The VoIP CLEAN PHONE**® graphic overlay is NOT resistant to the following:

Concentrated Mineral acids	High pressure steam at over 100°C	Methylene chloride
Concentrated caustic solution	Benzyl alcohol	UV
Dimethylformamide	Tetrahydrofuran	

## Specifications

**Power** ..... Power-over-Ethernet, 802.3af compliant (via RJ45), or External power supply 12-48Vdc, 60W. A separate, isolated supply must be provided for each telephone.

**Network** ..... 10/100 BaseT Ethernet RJ45, Cat5 or Cat5e UTP Static IP provisioning or DHCP STUN client (NAT traversal)

**Call Control Signaling** ..... SIP (RFC2361 compliant)  
Loose routing

**Microphone** ..... Electret

### INPUTS\*

Keypad ..... 3x4 matrix

Call Push Buttons ..... Autodial (3)

Activation Push Buttons ..... ON/OFF

Configurable inputs ..... 4

### OUTPUTS

Output 1 ..... 10 A @ 30 V ac/dc (resistive load)

Output 2 ..... 50 mA @ 30 V ac/dc (resistive load)

Speaker out (max.) ..... 85 dBS spl @ 1 meter

Ambient Noise Level Limit ..... 75 dBA

Configuration ..... Web page, configuration file, static IP address provisioning or DHCP

Monitoring and Reporting ..... Real-time over TCP/IP proprietary Syslog application, email embedded SMTP client Automatic fault reporting, or TMA monitoring

### OUTPUTS continued...

Call Diversion ..... Configurable call list (max 20 entries)

Multicast Capability ..... up to 8 addresses

Compliance to Standards ..... FCC CRF 47 Part 15  
UL/CSA 60950

### ENVIRONMENTAL

Temperature range:  
Operating ..... -4°F to +140°F (-20°C to +60°C)

Storage ..... -40°C to +70°C

Relative Humidity ..... Up to 95%, non-condensing

PCBA ..... Conformal coated

### CONSTRUCTION

Front Panel ..... 8 mil polyester over 16-gauge stainless steel

Back enclosure or Mtg. Bracket ..... 16-gauge stainless steel

### DIMENSIONS

Front Panel ..... 12.0 W x 12.0 H inches (305 W x 305 H mm)

Mtg. Bracket (295-702F) ..... 10.7 W x 10.8 H x 1.8 D inches  
(273 W x 276 H x 44 D mm)

Back Enclosure (295-702W) ..... 12.0 W x 12.0 H x 3.5 D inches  
(305 W x 305 H x 52 D mm)

### WEIGHT (shipping)

Model 295-702W ..... 10.2 lbs

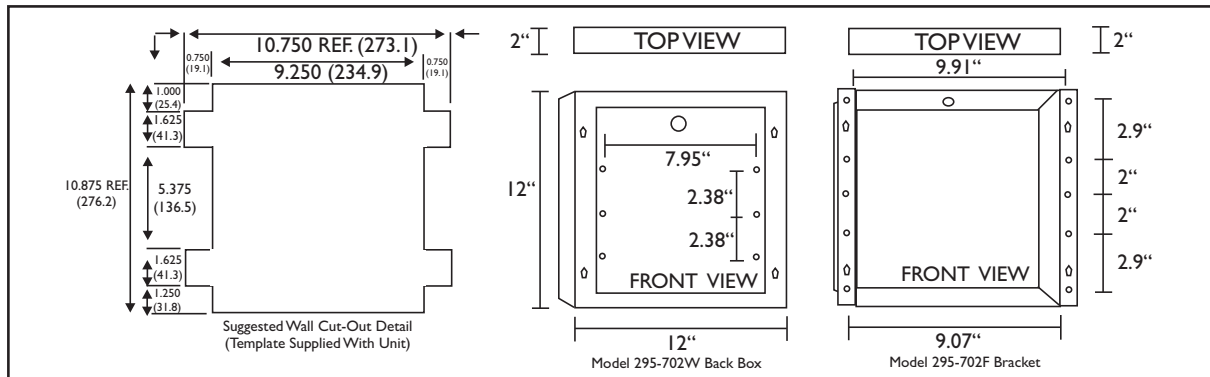
Model 295-702F ..... 10.0 lbs

### APPROVALS

Safety of Information Technology Equipment ..... UL/CSA 60950

Compliance to Standard ..... FCC CRF 47 Part 15

## Mounting Details



## Ordering Information

Model No.	DESCRIPTION:
<b>295-702F</b>	Flush-Mount VoIP Clean Phone®
<b>295-702W</b>	Wall-mount VoIP Clean Phone®

## Accessories & Options

Model No.	DESCRIPTION:
<b>235</b>	Maintenance Cover
<b>40419-011</b>	Optional Plug-in Power Supply (purchased separately)

