

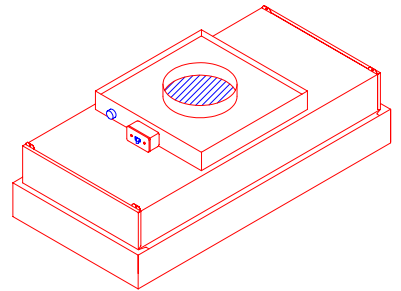
Duct Collar Adaptor Options

Duct Collar Adaptors

19950 10" Duct Collar Adaptor with galvanized finish

19951 12" Duct Collar Adaptor with galvanized finish

- *No Prefilter is used
- *Two required for SAM 26 models
- *White powdercoat finish available



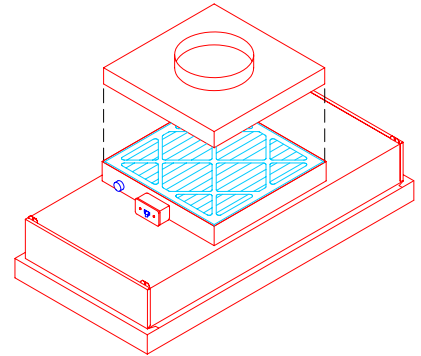
Top Load Duct Collar Adaptors

Allows the Prefilter to be changed from the top

19955 Top Load Adaptor w/ 10" Duct Collar with galvanized finish

19956 Top Load Adaptor w/ 12" Duct Collar with galvanized finish

- *Two required for SAM 26 models
- *Add 1-1/2" to total height of unit
- *White powdercoat finish available



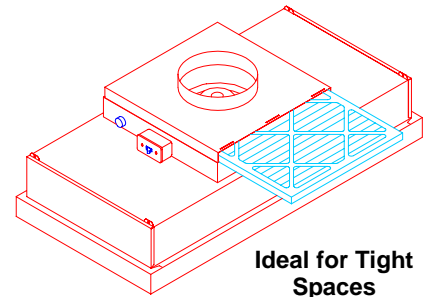
Side Load Prefilter Frame with Duct Collar

Allows the Prefilter to be changed from the side

19952 Side Load Prefilter Frame with 10" Duct Collar with galvanized finish

19953 Side Load Prefilter Frame with 12" Duct Collar with galvanized finish

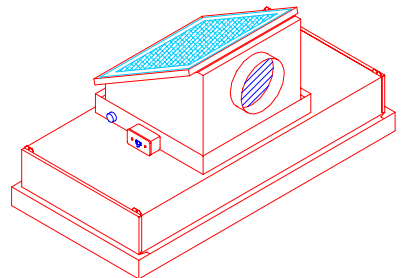
- *Two required for SAM 26 models
- *Add 1-1/2" to total height of unit
- *White powdercoat finish available



Ideal for Tight Spaces

Air Conditioning Mixing Box

- Allows Conditioned Air Connection to SAM Unit
- 10" or 12" Duct Collar
- For Open Plenum Systems
- Galvanized finish and White Powdercoat finish available
- Part Number 19958 with 10" Duct Collar
- Part Number 19959 with 12" Duct Collar



Mixing Box

- Allows Conditioned Air Connection to SAM Unit
- 10" or 12" Duct Collar
- Galvanized finish and White Powdercoat finish available
- Part Number 19947 with 10" Duct Collar
- Part Number 19948 with 12" Duct Collar

