



CleanAir Solutions, Inc.
The Cleanroom Specialists

Specimen Pass Through



The CAS specimen pass through facilitates the collection of lab samples while maintaining patient privacy. It has two doors, one on each side.

A door interlock system prevents both doors from opening at the same time. The unit is made entirely of stainless steel and has a smooth double wall interior for easy cleaning. A stainless steel wall flange is included with each unit and an opposing wall flange is optional. Overall size is 12" high, 12" wide.

FEATURES:

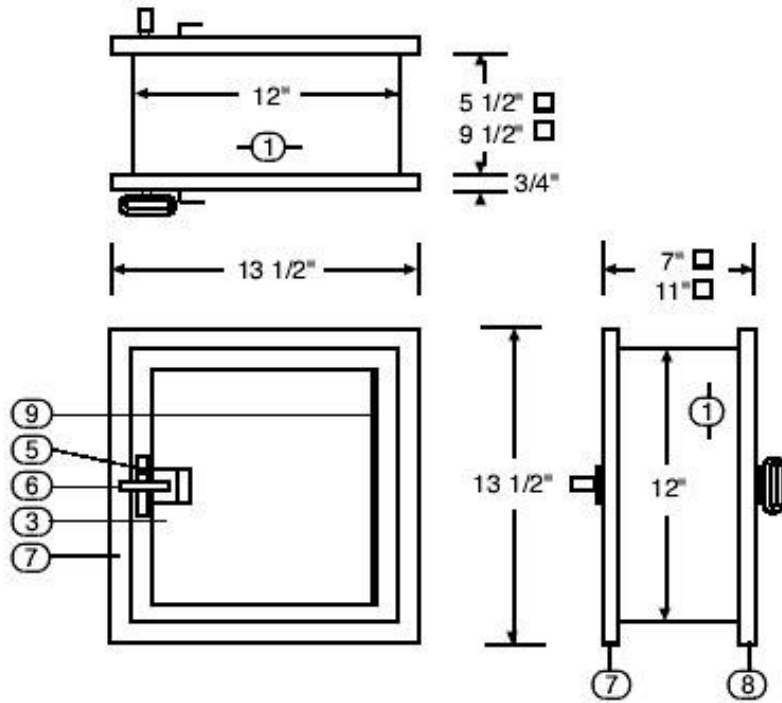
- All stainless steel, 2 door pass-through-wall cabinet.
- Door interlock maintains patient privacy.
- Welded double wall stainless steel construction, ground and polished.
- Two sizes available. SPT-12 for walls up to 5 1/2" thick. SPT-12D for thicker walls up to 9 1/2" thick.

Model	Description
SPT-12	7" Deep specimen pass through for walls up to 5 1/2" thick.
SPT-12D	11" Deep specimen pass through for walls up to 9 1/2" thick.
WF-12	Opposing wall flange.

SPECIMEN PASS THROUGH

MODEL SPT-12, 7" DEEP
 MODEL SPT-12D, 11" DEEP

DATE: 3/14/05 DRAWING NO.: 224
 DRAWN BY: *jjr*



- 1. STAINLESS STEEL.
- 2. DOUBLE WALL CONSTRUCTION THROUGHOUT.
- 3. DOOR, 1 EACH SIDE.
- 4. DOOR INTERLOCK, ALLOWS ONLY ONE DOOR TO BE OPENED AT ONCE, NOT SHOWN.
- 5. DOOR INTERLOCK PUSH BUTTON.
- 6. HANDLE, STAINLESS STEEL.
- 7. WALL FLANGE, FIXED POSITION.
- 8. WALL FLANGE, OPTIONAL, ADJUSTABLE FRONT TO BACK TO ACCOMMODATE VARIOUS WALL THICKNESS.
- 9. PIANO HINGE.

NOTE: ONLY ITEMS WITH MARKED BOXES ARE INCLUDED.

SUGGESTED WALL OPENING:
 12 3/8" WIDE
 12 3/8" HIGH

MAXIMUM WALL DEPTH:
 SPT-12: 5 1/2"
 SPT-12D: 9 1/2"

CARR