

Cleanroom Light Fixtures

Cleanroom Light Fixtures

Cleanroom Light Fixtures are ideal for general purpose cleanrooms, pharmaceutical cleanrooms and biomedical labs, food processing centers, hospitals and wet locations.

Sealed Housings Maintain Integrity

Totally sealed housings maintain ceiling integrity and protect against infiltration of particles and airborne bacteria. Housings are painted with a white powdercoat finish and spring loaded latches on each side secure the hinged door lens frame in the closed position. The door frame is removable without the use of tools and swings down, permitting re-lamping from roomside without contaminating the clean areas.

Features of Standard Fixtures

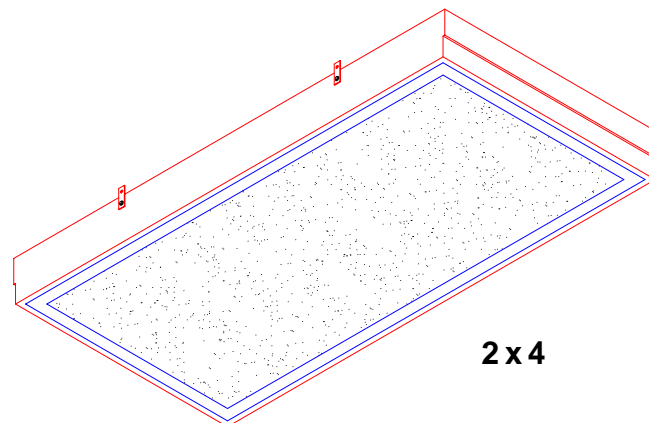
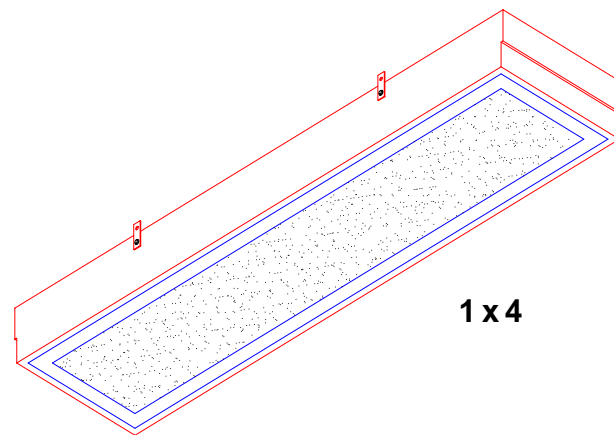
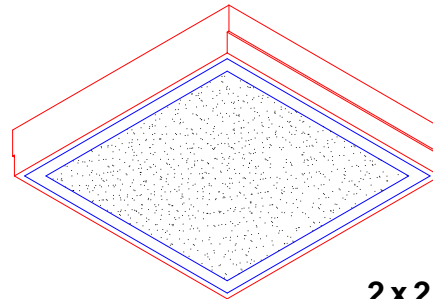
A standard 2' x 4' fixture features a 120 volt T8 electronic ballast with (4) F32T8 medium bi-pin lamp receptacles, (lamps not included). The ballast is mounted inside the housing and is removable from roomside, maintaining ceiling integrity. Other voltages are available.

Cover for Quick Access

Installation is easy because a gasketed wiring access cover on the top allows quick access for wiring to the building power source.

Compliance with Federal Standards

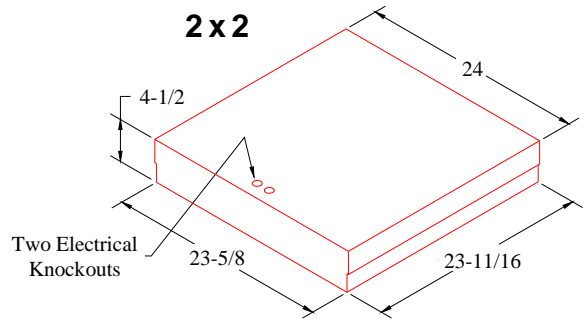
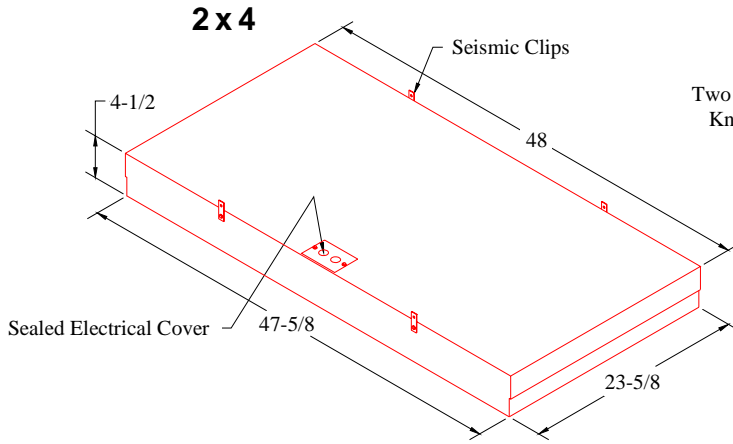
These luminaries are UL listed and manufactured in accordance to USDA, FDA, and NSF guidelines. All fixtures have been tested and reported in compliance with Federal Standard 209 and are suitable for Class 1,000 to 100,000 or ISO Class 3 to 9 Cleanrooms. Consult with the factory for Class 100 or ISO Class 1 and 2 applications or hazardous location fixtures.



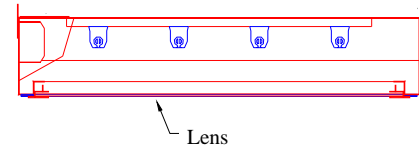
Actual dimensions and opening sizes are shown on a following page.

**All Models Available with
Emergency Battery Pak**

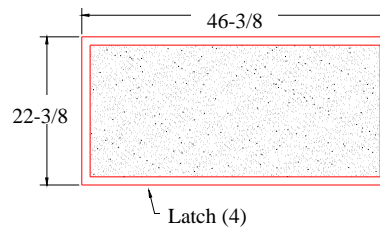
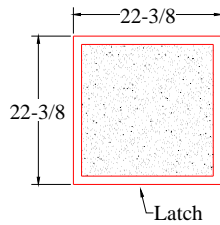
Cleanroom Lights



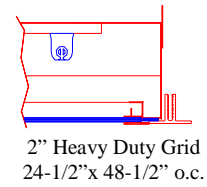
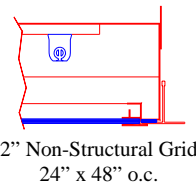
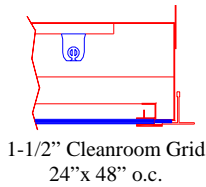
Cross Section



Door Frame and Lens (Lens is removable from frame)



Standard 2 x 4 Fits These T-Grid Openings



Consult with factory when using 2" HD Grid on 2' x 4' centers.

Ordering Information

Part No.	Nominal	Voltage	Cycle	Lamp	Ballast	Amps	Watts	Weight
148050	2' x 4'	120V	60 hz	4 Lamp	T8 Electronic	.97	32 / 128	35 lbs. (16 kg.)
148051	2' x 4'	277V	60 hz	4 Lamp	T8 Electronic	.42	32 / 128	35 lbs. (16 kg.)
148052	2' x 4'	250V	50 hz	4 Lamp	T8 Electronic	NA	32 / 128	35 lbs. (16 kg.)
148053	2' x 2'	277V	60 hz	4 Lamp	T8 Electronic	.25	17 / 68	23 lbs. (11 kg.)
148066	1' x 4'	120V	60 hz	2 Lamp	T8 Electronic	.51	32 / 64	25 lbs. (12 kg.)
148076	2' x 2'	120V	60 hz	4 Lamp	T8 Electronic	.57	17 / 68	23 lbs. (11 kg.)
148513	Door Frame Lens							
148514	Door Lens without Frame							
703902	Optional 8' Power Cord 110V only							
148075	EM/B100 Emergency Battery Pack 120-277 Volt							