

Tru-Clean "E" Series Vertical Flow Clean Benches

General Information

A self contained SAM Fan Filter Unit provides Class 100 HEPA filtered air in a vertical laminar flow pattern within the workspace.

Electrical

Standard voltage is 115 volts with other voltage options shown on a following page. An On/Off switch is installed in a 2"x 4" junction box mounted on the SAM unit. All 115 volt models are equipped with a 8 foot power cord and 3 - prong plug. Other voltages require electrical connection to the power source by a qualified electrician.

Final Filter

HEPA filters are 99.99% efficient @ 0.3 micron or larger with anodized aluminum frame. ULPA grade filters are 99.9995% efficient @ 0.12 micron, and are available as an option.

Prefilter

A pleated type, disposable prefilter rated at 30% ASHRAE efficiency is standard.

Speed Control

A solid state variable speed control is mounted on the SAM unit.

Grille

Vertical flow clean benches with lights have an acrylic grille inserted in an anodized aluminum frame which is hinged to open. This permits access to the fluorescent light tubes and removal of the HEPA filter without removing the SAM unit from the frame. Vertical flow clean benches without lights have a painted white epoxy diamond pattern grille.

Construction

Tru-Clean Clean Bench frames are white painted steel tubing with clear acrylic side and back panels and adjustable leg levelers. Work surfaces are solid core with white high pressure laminate finish. ESD, perforated and stainless steel work surfaces are available as options. Clean Bench models are available in a sit-down style with work surface 30" from floor or stand-up style with work surface 40" from floor.

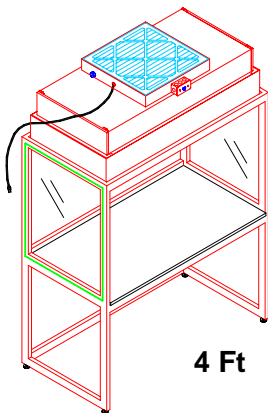
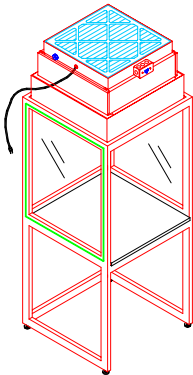
Lighting

All 2', 4', & 8' vertical flow models with lights are equipped with a 4-lamp light fixture, 120 volt, 60 hz with T8, 32W electronic ballast. The 6' vertical flow models are equipped with a 2-lamp fixture, 120V, 60 hz., T12 ballast and two (2) high output lamps. Fluorescent light tubes are not furnished with the units because of potential breakage during shipment.

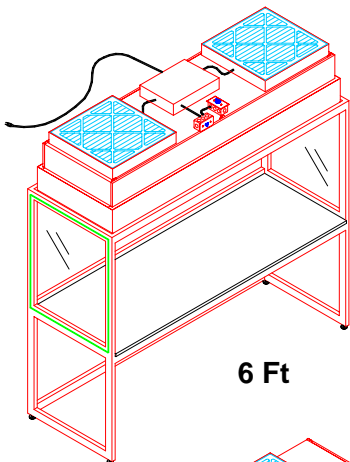
Shipping

Tru-Clean Vertical Flow Clean Benches are fully assembled with the SAM unit packaged separately for safe shipping. The self contained SAM unit is easily installed in the frame on site with no special tools required.

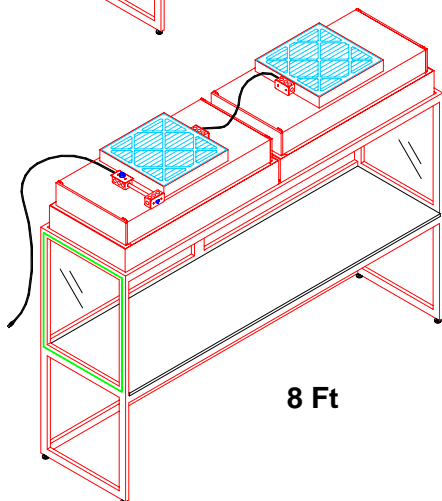
See a following page for options and ordering information.



4 Ft

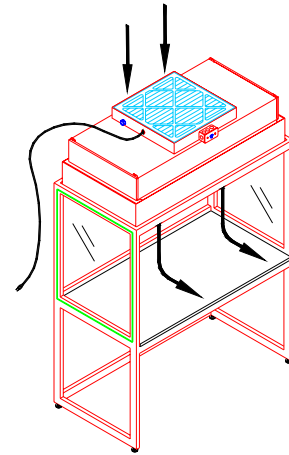
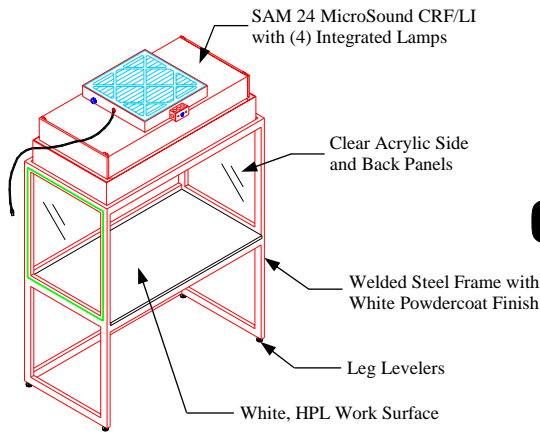


6 Ft



8 Ft

Tru-Clean "E" Series Vertical Flow Clean Benches



Sit-down Style Vertical Flow with Work Surface 30" from Floor and Lights

Fluorescent light tubes not included

Model No.	Nominal	Work Surface	Overall Dim.	Opening Size	Wt.
13200	2 Ft.	24" x 25"	26"L x 26"D x 78"H	24"L x 30"H	250 lbs
13201	4 Ft.	48" x 25"	50"L x 26"D x 78"H	48"L x 30"H	335 lbs
13202	4 Ft.	48" x 32"	50"L x 33"D x 78"H	48"L x 30"H	350 lbs
13203	6 Ft.	72" x 25"	74"L x 26"D x 78"H	72"L x 30"H	450 lbs
13204	6 Ft.	72" x 32"	74"L x 33"D x 78"H	72"L x 30"H	475 lbs
13205	8 Ft.	96" x 25"	98"L x 26"D x 78"H	96"L x 30"H	565 lbs
13206	8 Ft.	96" x 32"	98"L x 33"D x 78"H	96"L x 30"H	595 lbs

Stand-up Style Vertical Flow with Work Surface 40" from Floor and Lights

Fluorescent light tubes not included

13257	2 Ft.	24" x 25"	26"L x 26"D x 88"H	24"L x 30"H	280 lbs
13207	4 Ft.	48" x 25"	50"L x 26"D x 88"H	48"L x 30"H	365 lbs
13208	4 Ft.	48" x 32"	50"L x 33"D x 88"H	48"L x 30"H	380 lbs
13209	6 Ft.	72" x 25"	74"L x 26"D x 88"H	72"L x 30"H	485 lbs
13210	6 Ft.	72" x 32"	74"L x 33"D x 88"H	72"L x 30"H	505 lbs
13211	8 Ft.	96" x 25"	98"L x 26"D x 88"H	96"L x 30"H	595 lbs
13212	8 Ft.	96" x 32"	98"L x 33"D x 88"H	96"L x 30"H	620 lbs

Sit-down Style Vertical Flow with Work Surface 30" from Floor, without Lights

13230	2 Ft.	24" x 25"	26"L x 26"D x 73"H	24"L x 30"H	240 lbs
13231	4 Ft.	48" x 25"	50"L x 26"D x 73"H	48"L x 30"H	310 lbs
13232	4 Ft.	48" x 32"	50"L x 33"D x 73"H	48"L x 30"H	325 lbs
13233	6 Ft.	72" x 25"	74"L x 26"D x 73"H	72"L x 30"H	430 lbs
13234	6 Ft.	72" x 32"	74"L x 33"D x 73"H	72"L x 30"H	455 lbs
13235	8 Ft.	96" x 25"	98"L x 26"D x 73"H	96"L x 30"H	515 lbs
13236	8 Ft.	96" x 32"	98"L x 33"D x 73"H	96"L x 30"H	545 lbs

Stand-up Style Vertical Flow with Work Surface 40" from Floor, without Lights

13258	2 Ft.	24" x 25"	26"L x 26"D x 83"H	24"L x 30"H	270 lbs
13237	4 Ft.	48" x 25"	50"L x 26"D x 83"H	48"L x 30"H	340 lbs
13238	4 Ft.	48" x 32"	50"L x 33"D x 83"H	48"L x 30"H	360 lbs
13239	6 Ft.	72" x 25"	74"L x 26"D x 83"H	72"L x 30"H	475 lbs
13240	6 Ft.	72" x 32"	74"L x 33"D x 83"H	72"L x 30"H	500 lbs
13241	8 Ft.	96" x 25"	98"L x 26"D x 83"H	96"L x 30"H	565 lbs
13242	8 Ft.	96" x 32"	98"L x 33"D x 83"H	96"L x 30"H	600 lbs

OPTIONS:

- 208-230V, 50/60 hz motor
- 277V, 60 hz motor
- 250V, 50 hz lighting for export models
- Duct Collar Adaptor, 10" or 12" diameter
- ULPA Filter 99.9995% eff @ 0.12 micron or larger
- Casters with brakes
- Duplex electrical outlets
- Front Face Shields
- Magnehelic Gage
- Perforated work surface
- ESD work surface
- Stainless steel work surface
- Static Control Package

See a following page for options and ordering information.