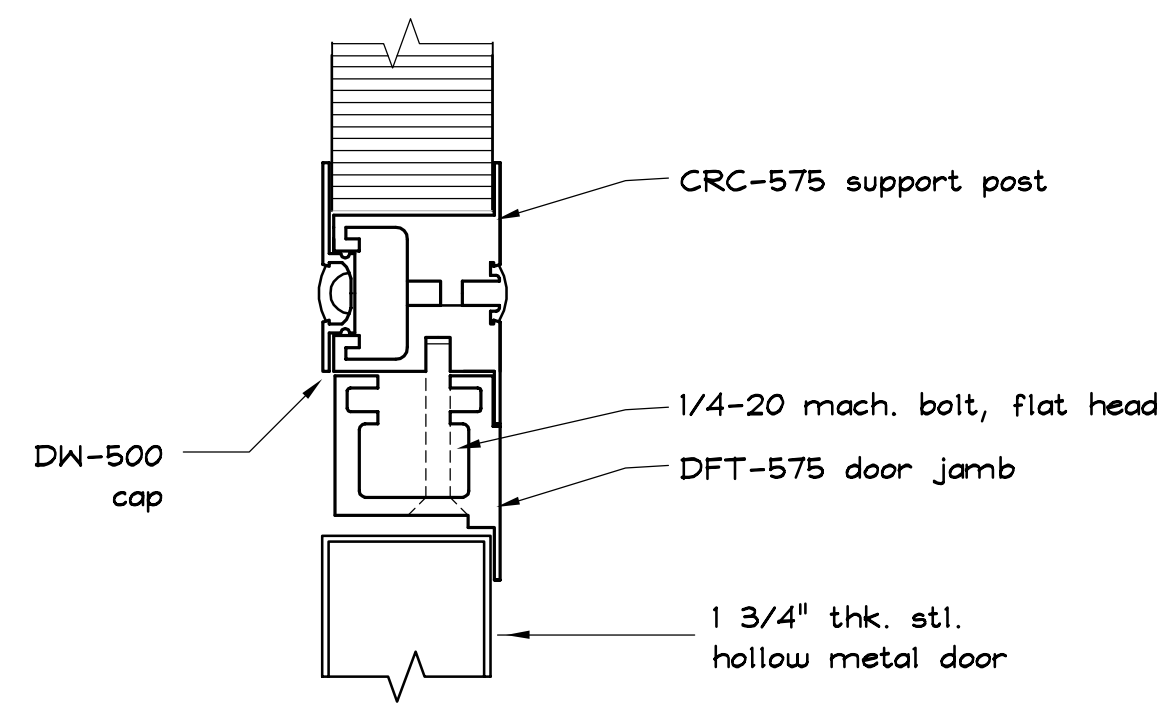


CLEANAIR SOLUTIONS

826 Bayridge Place
Fairfield, CA 945

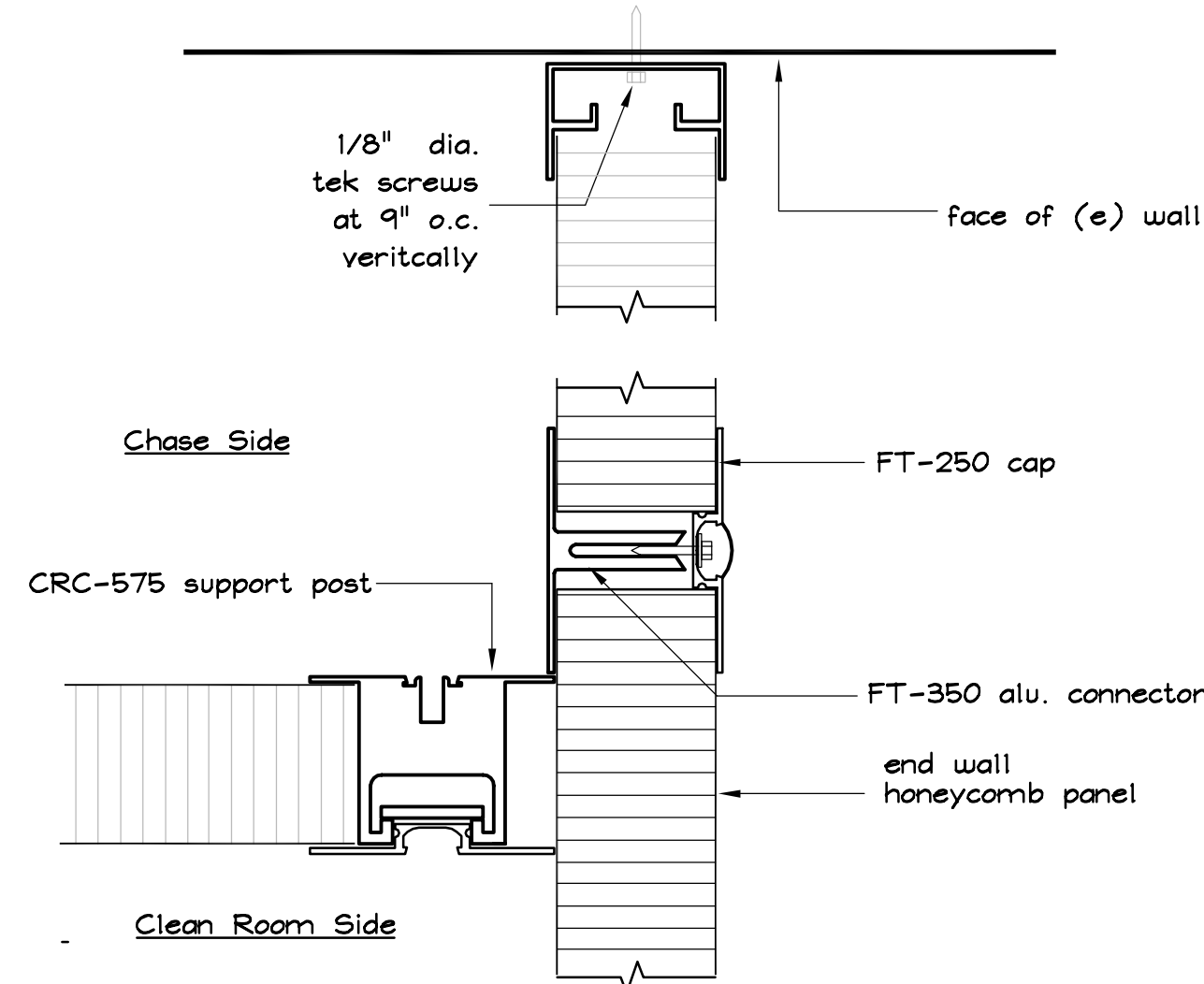


Door Jamb, Head Sim.

cr-13-wall-anchor

3" = 1'-0"

10

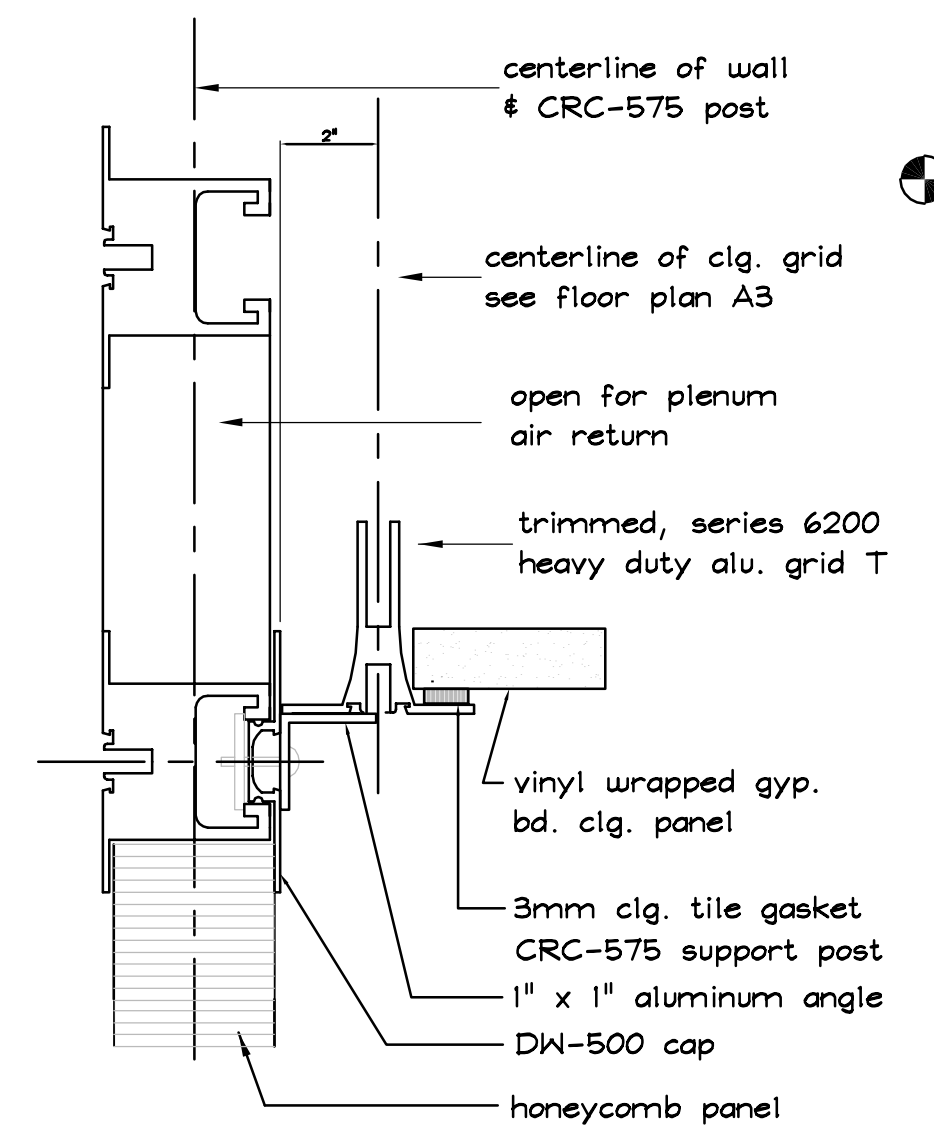


Chase wall to wall connection

cr-26-wall connection

Half Scale

7

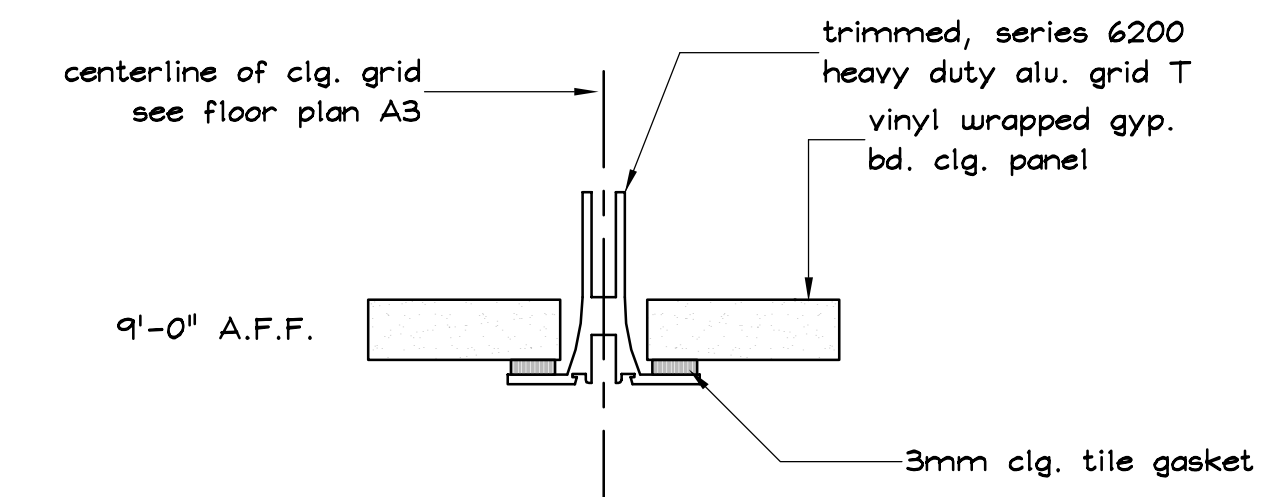


Wall / Ceiling at Perimeter Wall

wall/clg.

3" = 1'-0"

4

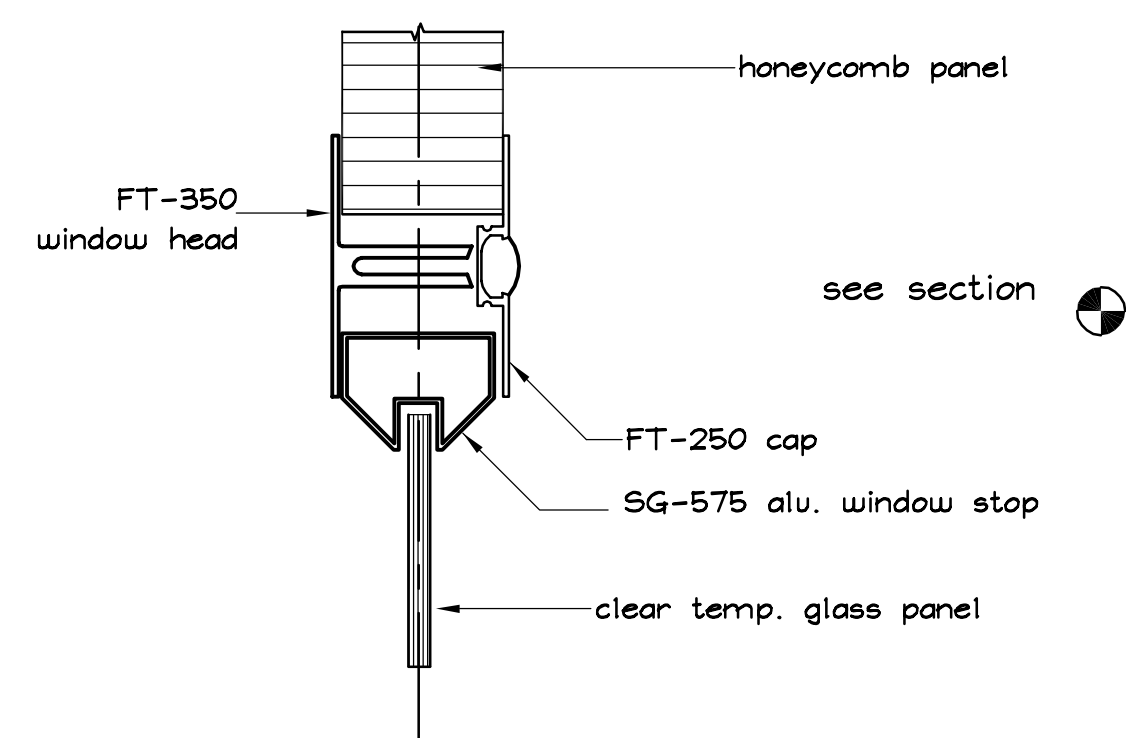


Ceiling Grid

cr-04-clg-grid

3" = 1'-0"

1

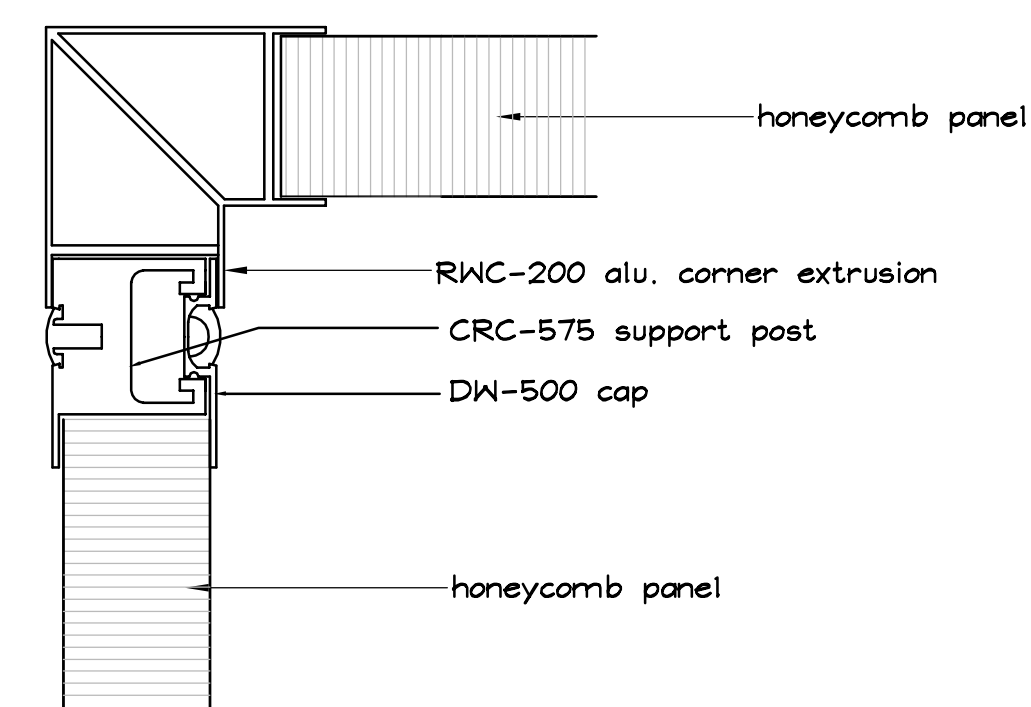


Window Jamb

cr-13-window jamb

Half Scale

11

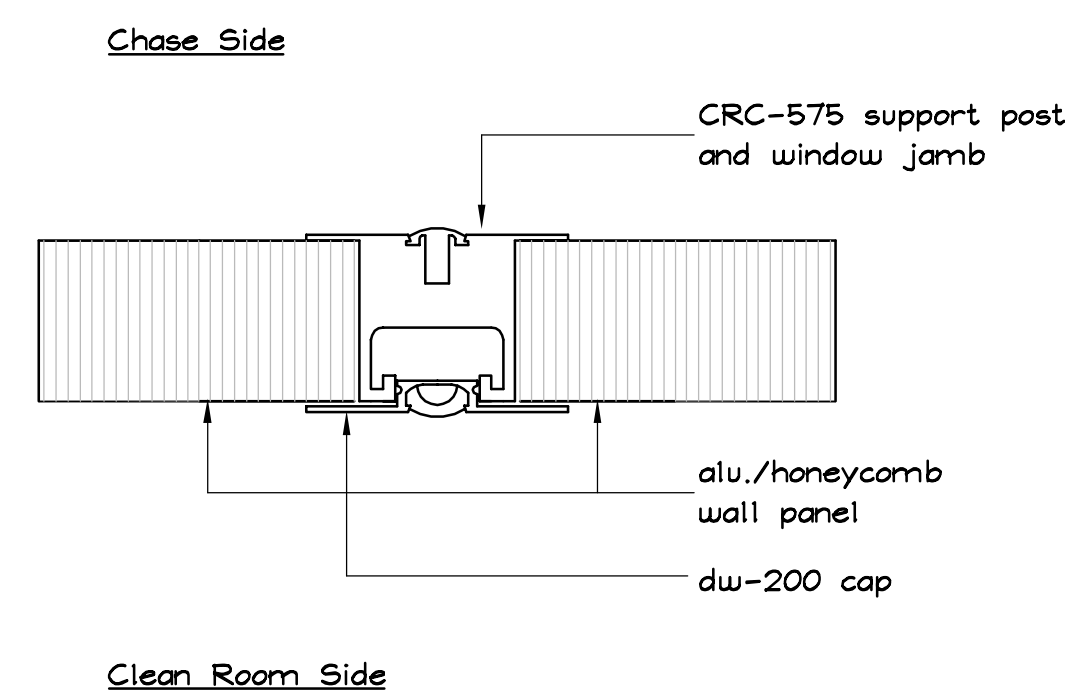


Wall Corner

cr-06-wall corner

3" = 1'-0"

8

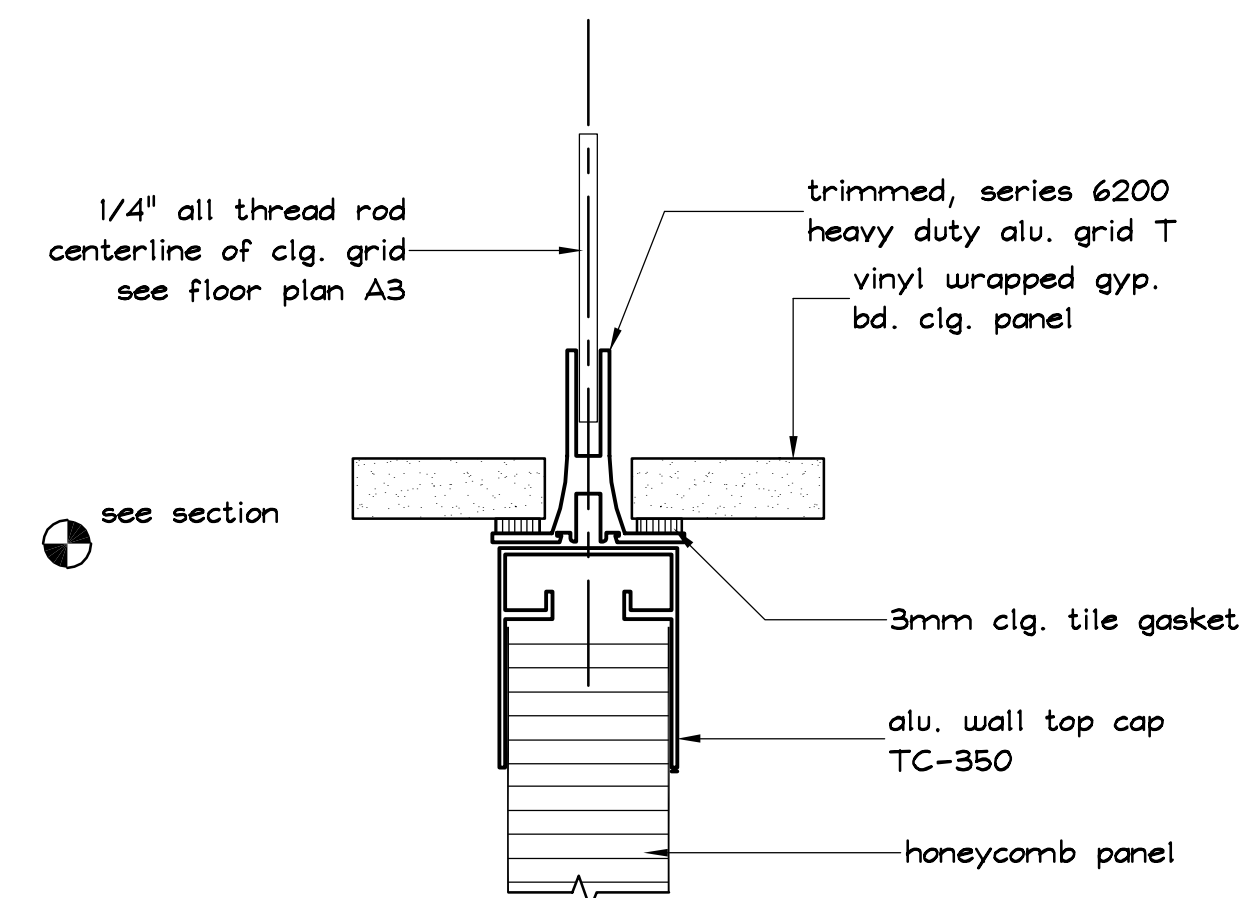


Vertical Wall Mullion, Panel, Typ.

cr-02-vert mullion

3" = 1'-0"

5

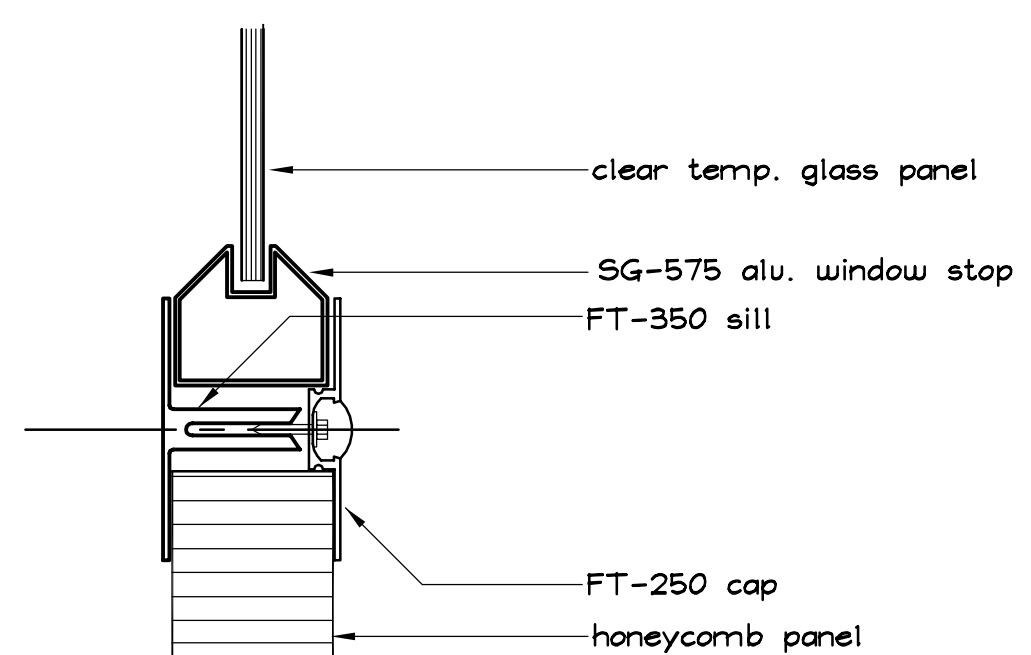


Wall head at ceiling

cr-14-wall head

Half Scale

2

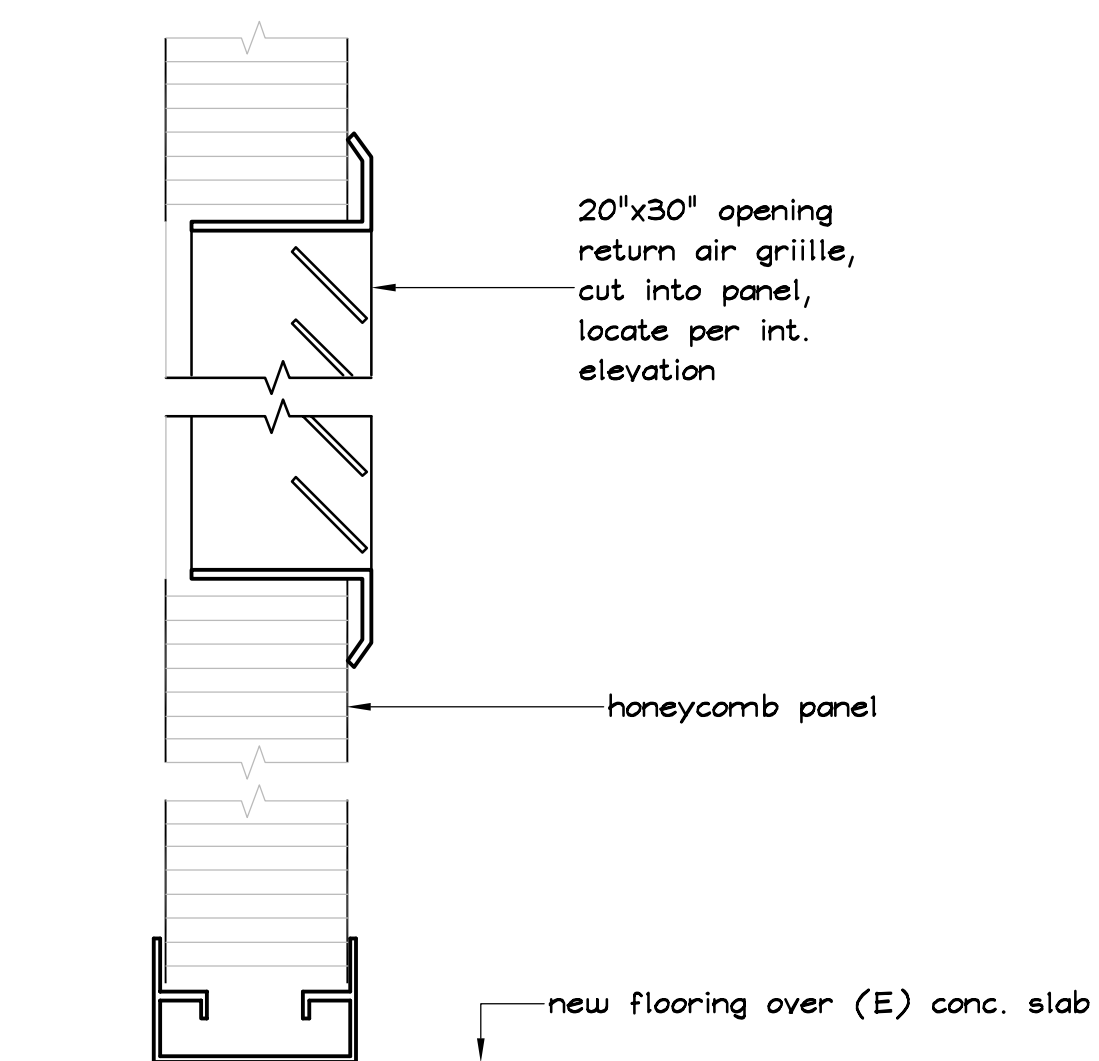


Window Sill

cr-11-window sill

Half Scale

12

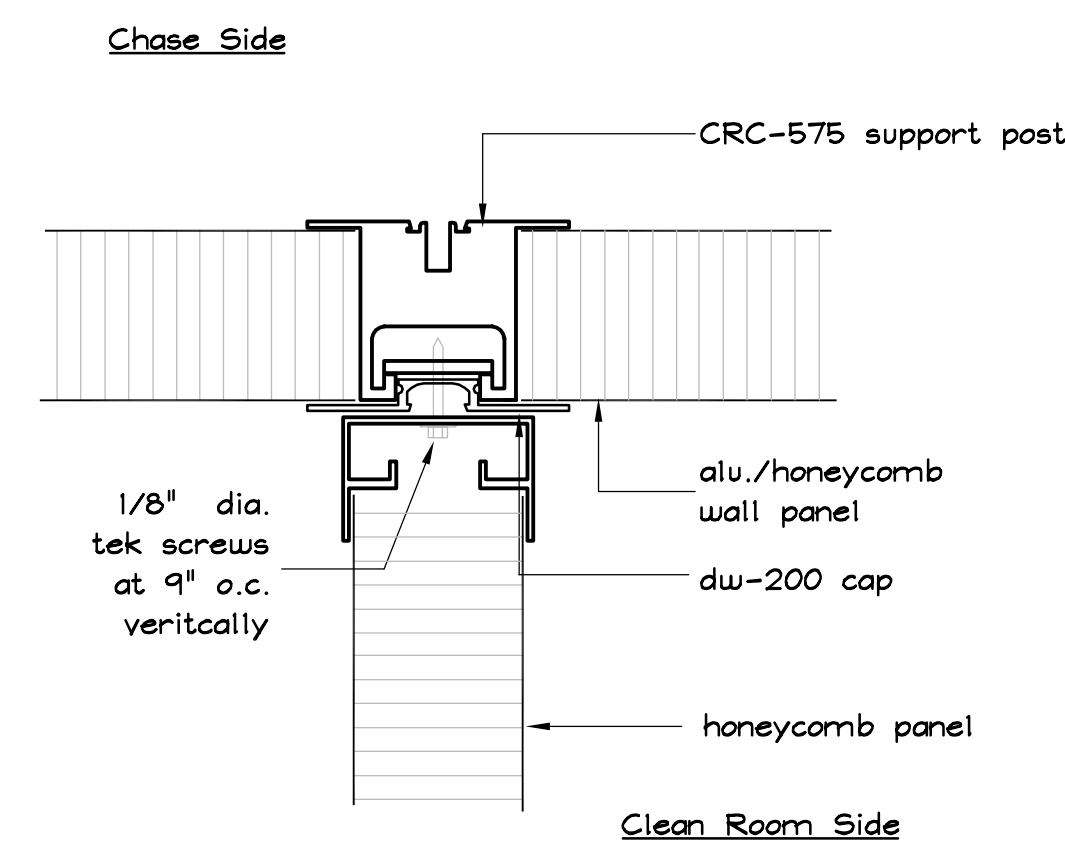


Return air louver

cr-05- return air

Half Scale

9

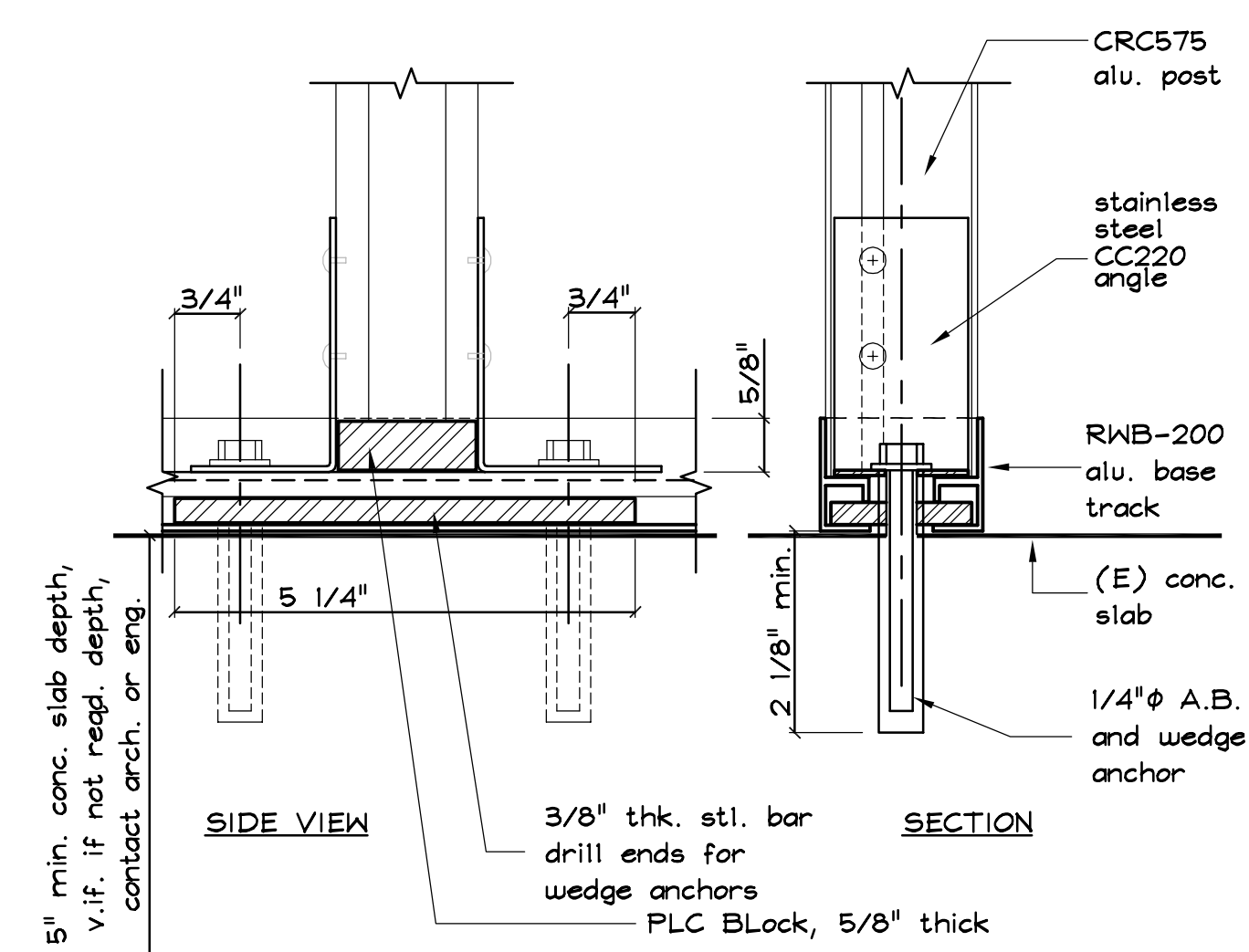


Interior wall to post connection

cr-03-wall connection

Half Scale

6



Post anchorage, typical

cr-12-wall-anchor

Half Scale

3

Proposed Clean Room for:

- 1 locate stl. ts. sliding dr. cols 04/05/2010
- 2 correct (e) bldg. shell plan
move clean rm. 1'-2" west 04/10/2010
- 3 correct (e) bldg. col. location,
clin. rm. drs., staging rm. hdrs. 04/16/2010

Cleanroom Details

Job No 2009-065

April 16, 2010

A9.2